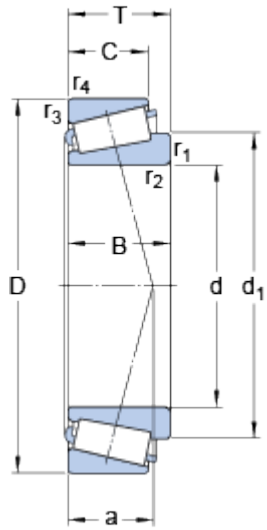


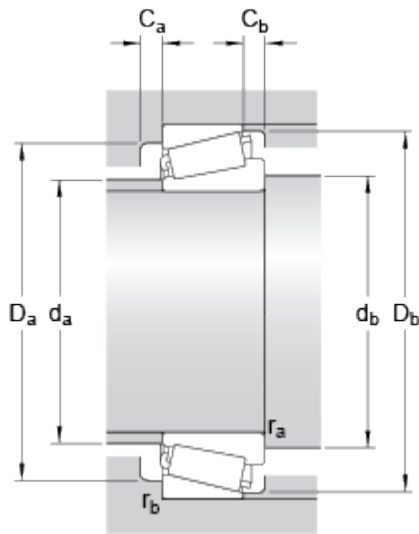
LM 603049/011/Q

Dimensions



d		45.242	mm
D		77.788	mm
T		19.842	mm
d ₁	≈	61.9	mm
B		19.842	mm
C		15.08	mm
r _{1,2}	min.	3.5	mm
r _{3,4}	min.	0.8	mm
a		17	mm

Abutment dimensions



d _a	max.	52	mm
d _b	min.	57	mm
D _a	min.	68	mm
D _a	max.	72	mm
D _b	min.	74	mm
C _a	min.	4	mm
C _b	min.	4.5	mm
r _a	max.	3.3	mm
r _b	max.	0.8	mm

Calculation data

Basic dynamic load rating	C	53.9	kN
Basic static load rating	C ₀	69.5	kN
Fatigue load limit	P _u	7.6	kN
Reference speed		6300	r/min
Limiting speed		9000	r/min
Calculation factor	e	0.43	
Calculation factor	Y	1.4	

Calculation factor

Y_0

0.8

Mass

Mass bearing

0.368

kg